



## Delegates (Day and 24 Hour)

### **24 Hour Delegate Rate (Minimum 10 Persons)**

For longer conferencing, we provide a 24 Hour Delegate Rate which includes all the benefits of a Day Delegate Package along with overnight accommodation, a 3 course dinner in Savannahs Restaurant from the seasonal, daily 3 course menu, free entry to a local gym and a full English breakfast for £120 per delegate (Inc. VAT)

Further options for our 24 Hour Delegates include:

**Private Dining for Dinner**      £10.00 per Person.

**Executive Upgrade**      £25.00 per Person.

- ◆ Daily Newspapers in the Conference Room.
- ◆ Belvoir Fruit Farm flavoured water.
- ◆ Jugs of Orange Juice with Lunch.
- ◆ Luxury Sweets in the Room.
- ◆ Afternoon revitalises cans of soft drinks and chocolate bars.
- ◆ Executive Double Room.
- ◆ Free newspaper delivered to bedroom.
- ◆ Mineral Water in the Bedroom.
- ◆ Glass of Wine per person with Dinner.

## Special Weekend Rates

**24 hour rate on a Friday, Saturday and Sunday night**      from £85.00 per person

**Day Delegate Rates on a Saturday or Sunday**      from £28.00 per person

Should you not wish to use The Best Western Lion Hotel for a full-day conference or meeting all our rooms are available on a room hire basis. The capacities and prices are listed separately. Any extra requirements for the day will be charged individually as consumed. Our conference team will be more than happy to deal with any enquiry you may have.



**Best Western Lion Hotel**  
*Quality comes naturally*

Tel: 01909 477925  
[www.thelionworksop.co.uk](http://www.thelionworksop.co.uk)

## Day Delegate Rate (Minimum 10 Persons)

Our standard rate for day delegates is £40 per person (Inc. VAT) the rate includes:

- ◆ Unlimited Tea, Coffee & Water
- ◆ Bacon rolls on arrival
- ◆ Hire of the meeting room 8.00am until 6.00pm (room set up is available 30mins before event starts)
- ◆ Delegate place setting comprising of: note pad, pen, name card
- ◆ Belvoir Fruit Farm cordial and mints
- ◆ Mid morning homemade cookies
- ◆ Lunch – choose from Working Lunch, Sandwich Lunch or Buffet Selector served in the meeting room or restaurant
- ◆ Afternoon tea/coffee and scones
- ◆ Overhead or LCD Projector and Screen
- ◆ One flipchart pad, stand and a selection of pens
- ◆ Organisers Stationery Box
- ◆ Free car parking
- ◆ Unlimited fruit
- ◆ Free hi-speed internet access
- ◆ 2 hour response time from initial enquiry
- ◆ A dedicated conference advisor who will ensure the whole booking process is fast and hassle free
- ◆ A dedicated master of ceremonies to meet and greet you on arrival to the hotel and to be available throughout the event

## Optional Extras

Tea/coffee and biscuits	£1.75 Per Person.
Tea/coffee and Danish Pastries	£2.95 Per Person.
Upgrade to two course seasonal, daily menu in Savannahs Restaurant	£6.25 Per Person.
Afternoon Revitalises -	
Selection of soft drinks and chocolate bars or ice-creams and sorbets	£2.75 Per Person.
Syndicate room from	£95.00 Per Day.
Flipchart pad and stand	£15.00 Per Day.
Additional flipchart pads	£6.50 each.
TV and Video	£75.00 per Day.
OHP and Screen	£35.00 per Day.
LCD Projector and Screen	£75.00 per Day.
Full Yorkshire breakfast Buffet	£9.50 Per Person.

Please discuss your specific requirements with us and we will be more than happy to put a package together to suit your particular needs.



Best Western Lion Hotel  
*Quality comes naturally*

Tel: 01909 477925  
[www.thelionworksop.co.uk](http://www.thelionworksop.co.uk)

## *Buffet Lunches* (Minimum of 10 People)

### **FORK BUFFET MENU 1**

Chicken Breast with Mushrooms, Shallots, Tomato and Tarragon  
Salmon, Smoked Haddock Fish Pie  
Wild and Non Wild Mushrooms Stroganoff  
Fine Beans with Roasted Shallots  
Aromatic Rice  
Mixed Herb and Baby Leaf Salad

Raspberry Crème Brule with All Butter Shortbread

£16.00 per person

### **FORK BUFFET MENU 2**

Steak and Local Ale Pie  
Chunky Cod and Parsley Sauce  
Roasted Vegetable Lasagne  
Buttered New Potatoes  
Fine Beans and Roasted Shallots  
Tomato, Red Onion and Basil Salad

Caramelised Lemon Tart

£16.00 per person

### **BUFFET SELECTOR**

Selected Closed Sandwiches  
Selection of Open Sandwiches  
Marinated Vegetable Kebabs  
Warm Home Baked Quiche  
Vegetable Samosas and Sweet Chilli Sauce  
Our Own Sausage Rolls  
Oriental Spiced Chicken Wings  
Shallow Fried Spring Rolls and Plum Sauce  
Goujons of Salmon and Plaice with Saffron Tartar  
Chicken Brochettes and Peanut Sauce

### **FORK BUFFET MENU 3**

Rump Steak and Peppercorn Sauce  
Poached Pave of Salmon with a Light Mustard and Dill Cream  
Risotto of Wild Mushroom and Asparagus  
Thyme Roasted Baby New Potatoes  
Roast Courgettes  
Baby Gem Caesar Salad

Selection of British Cheeses with Celery and Grapes

£18.00 per person

### **FORK BUFFET MENU 4 - Healthy Option**

Thyme and Garlic Roasted Chicken Breast  
Stir Fry of Crisp Vegetables with Black Bean Sauce  
Vegetable Crudités with a Selection of Dips  
Paprika Roasted Baby New Potatoes  
Fine Green Beans  
Tomato, Red Onion and Basil Salad

Selection of Fresh Fruit, Berries and Nuts

£16.00 per person

Spiced Lamb Kebabs  
Tempura Prawns, Chilli Sauce  
Chicken Goujons with Lemon Mayo  
Spicy Potato Wedges, Black Pepper Dip  
Brushetta of Sun Ripened Tomato and Cheese  
An Assortment of Breads  
Mini Buttered Jacket Potatoes with Parsley Butter

6 items @ £9.95 per person  
Each additional item £1.65 per person



**Best Western Lion Hotel**  
*Quality comes naturally*

Tel: 01909 477925  
[www.thelionworksop.co.uk](http://www.thelionworksop.co.uk)

## Working Lunch

To include a Selection of Filled Baguettes & Chunky Chips, Platter of Fresh Fruit.  
Crème Brulè with all Butter Shortbread.  
Selection of Pressès from Belvoir Fruit Farm  
£8.95 per person

## Sandwich Lunch *(Minimum of 5 People)*

Choice of either Closed Sandwiches, Open Sandwiches, Baguettes, or Mixed

A few of the fillings on offer are;

Savoury Cheese, Roast Ham and Piccalilli, Tuna Mayonnaise and Cucumber, Rare Roast Local Beef and Creamed Horse Radish, Oak Smoked Salmon and Cream Cheese, Cucumber and Cracked Pepper, Roast Chicken Salad, Cornish Brie Roquet and Red Onion Marmalade, Roasted Mediterranean Vegetables and Goats Cheese, Plum Tomato Mozzarella and Basil Pesto, Coronation Chicken, Poached Salmon and Dill

Or

Various Filled Toasted Sandwiches

Selection of Sandwiches (Choose five fillings) - £4.95per person

### **Extras**

Hand Cut Chunky Chips, Hand Cut Fries, Spiced Wedges, Mixed Salad, Home Cooked Potato Crisps, Home Cooked Vegetable Crisps  
£1.65 per choice, per person



Best Western Lion Hotel  
*Quality comes naturally*

Tel: 01909 477925  
[www.thelionworksop.co.uk](http://www.thelionworksop.co.uk)

## Tea & Coffee Breaks

All services of tea and coffee include decaffeinated tea and coffee and herbal and fruit infused teas.

### *Coffee Breaks*

Includes Coffee and Selection of Fruit Infused Tea & Breakfast Tea

Homemade Cookies and Biscuits £1.75pp

Doughnuts £2.00pp

Croissants with Preserves £2.50pp

Traditional Fruit Cake £2.25pp

Danish Pastries £2.50pp

Bacon and Sausage rolls £5.00pp

Scones with Cream and Preserves £3.95pp

Cookie Break

Selection of Homemade Cookies £2.25pp

Chocolate Break

Chocolate Sponge Cake Chocolate Brownies £2.50pp

Power Break

Selection of Power Drinks including Red Bull, Lucozade, Powerade, Bananas and Energy Bars £5.00pp

Smoothie and Milkshake Break

Selection of Fruit Smoothies and Homemade Milkshakes, Platter of Fresh Seasonal Fruits £4.00pp

Healthy Fruit Break

Seasonal Fresh Fruit Platters, Cereal Bars, Fresh Orange Juice, Apple and Pineapple Juice £4.50pp

### *Special Dietary Requirements*

The Chef is more than happy to produce menus to suit those with special requirements, gluten free, vegetarian, celiac etc. Please ask to see our sample menus, or call to speak to the head chef.



Best Western Lion Hotel  
*Quality comes naturally*

Tel: 01909 477925  
[www.thelionworksop.co.uk](http://www.thelionworksop.co.uk)

## Sample 24 hour rate inclusive menu

### Starters

Salad of Grilled Sardines, Tomato, Red Onion, Roquette & Basil  
Crab, Bean Sprout, Chilli & Coriander Rolled Omelette  
Quenelles of Galia Melon, Marinated English Strawberries, Greek Yoghurt with Organic Honey & Toasted Almonds  
Goats Cheese Mousse, Walnut Brittle, Apple & Walnut Salad  
Fresh Picked Lincolnshire Asparagus, Hollandaise Sauce  
Breast of Warm Smoked Wood Pigeon, With Sweet Pickled Vegetable Salad, Orange & Caraway Dressing  
Pea, Broad Bean & Asparagus Risotto, Poached Egg & Pea Sauce

### Main Courses

Fillet of Sea Bass, Vanilla Butter Vinaigrette, Beans & Jersey Royal Potatoes  
Seared Stuffed Slow Braised Lamb, Ratatouille Vegetables, Basil Sauce & Herbed Cous Cous  
Local Reared 30 Day aged 7oz Rump Steak  
Served with either, Caesar Salad & Hand Cut Chips Or Steak Garnish, Hand Cut Chips & Béarnaise Sauce  
Grilled Chicken, Celeriac Puree, Parmentier Potatoes, Deep Fried Anchovies, Tomato & Chive Fondue  
Malaysian Fried Vegetables, with Sweet Chilli Dressing & Coriander Yoghurt  
Venison Steak, With Swede & Carrot Dauphinoise, with Light Juniper Jus  
Fresh Dressed Crab, Salad, Sauces & Dips

### Desserts

Butter Scotch Tart, Caramelised Bananas  
Vanilla Cheese Cake with Seasonal Fruit Topping  
Tiramisu with Almond Biscuit  
House Ice Creams & Sorbets  
A Platter of Cheese with Home made Chutney, Celery, Grapes and Biscuits  
Yorkshire Rhubarb served 3 Ways  
Fruit Pudding, Fruit sauce & Clotted Cream  
Freshly Brewed Coffee

### Breakfast Meetings

If you want to make a proactive start to your day and time is of the essence, we can offer a Full Yorkshire breakfast, breakfast rolls or Continental breakfast for your early morning meeting.

Full English breakfast	£9.50 Per Delegate
Breakfast Rolls	£4.50 Per Delegate
Continental breakfast	£6.50 Per Delegate

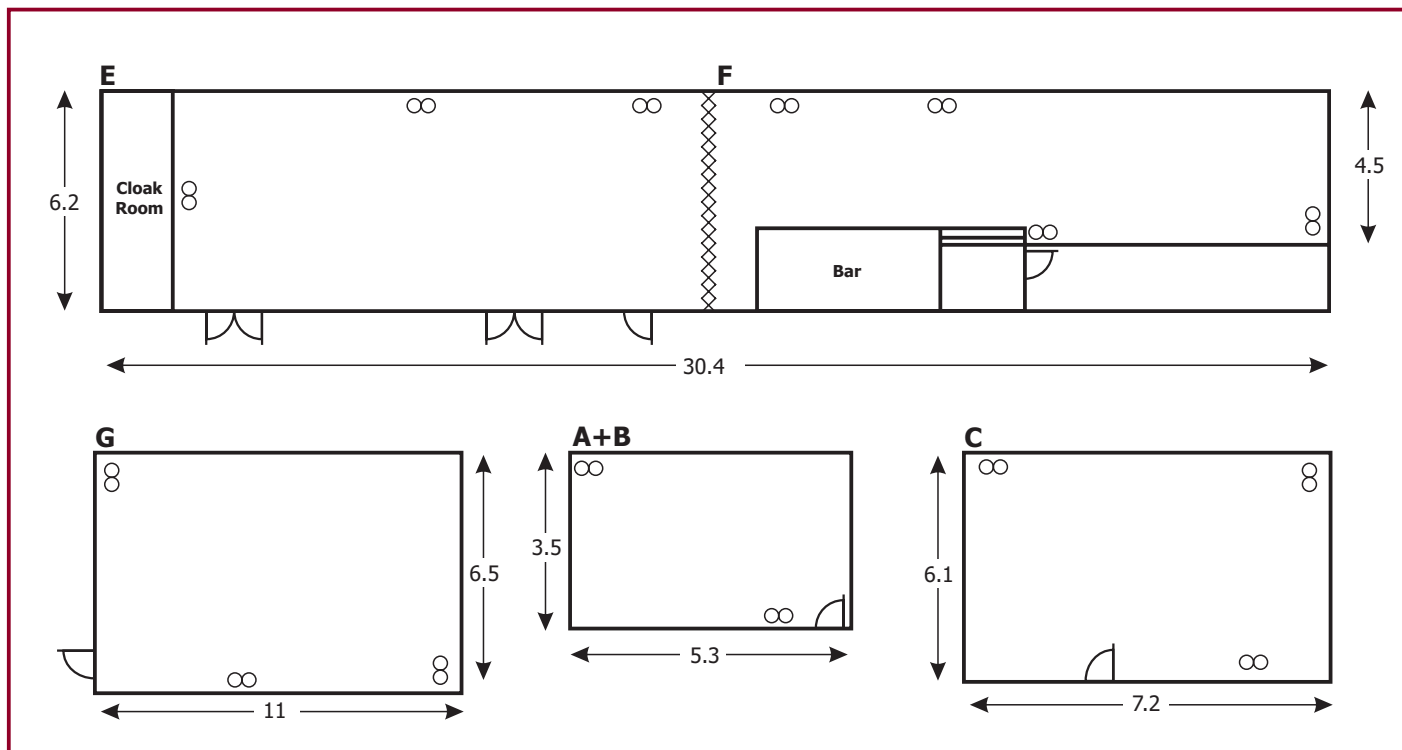


Best Western Lion Hotel  
*Quality comes naturally*

Tel: 01909 477925  
[www.thelionworksop.co.uk](http://www.thelionworksop.co.uk)

## Meetings & Conference Room Layouts

Room Name	Plan Key	Room Size	Seating Capacity				Hire Charge
			Theatre	Classroom	Cabaret	Boardroom	
Ostlers as 1 Room	E+F	30.4 x 6.2	200	80	120	50	£650.00
Ostlers 1	E	11.2 x 6.2	120	45	80	35	£350.00
Ostlers 2	F	19.2 x 4.5	100	35	60	30	£300.00
Bentinck	C	7.2 x 6.1	40	20	20	20	£150.00
Savannahs	G	11 x 6.5	80	60	40	30	£300.00
208	A	6 x 3.5	30	15	15	15	£95.00
308	B	6 x 3.5	30	15	15	15	£95.00



Best Western Lion Hotel  
*Quality comes naturally*

Tel: 01909 477925  
[www.thelionworksop.co.uk](http://www.thelionworksop.co.uk)

## Directions

### By Rail.

The Best Western Lion Hotel is a short taxi ride or approximately a 1 mile walk from Worksop railway station. Exit the station onto Carlton Road and turn right (South). From here it is a straight road which changes to Bridge Place as you cross the bridge and head down into the pedestrianised area. The road will turn into Bridge Street and the Best Western Lion Hotel can be found on the right shortly before the end of the pedestrianised area.

### By Air.

The nearest airport is Robin Hood Airport, Doncaster at approximately 22 miles with an estimated driving time of 38 minutes. Other airports are as follows:

East Midlands Airport: 44.5 miles/54 minutes

Leeds Bradford Airport: 60.5 miles/1 hour 16 minutes

Humberside Airport: 59.6 miles/1 hour 12 minutes

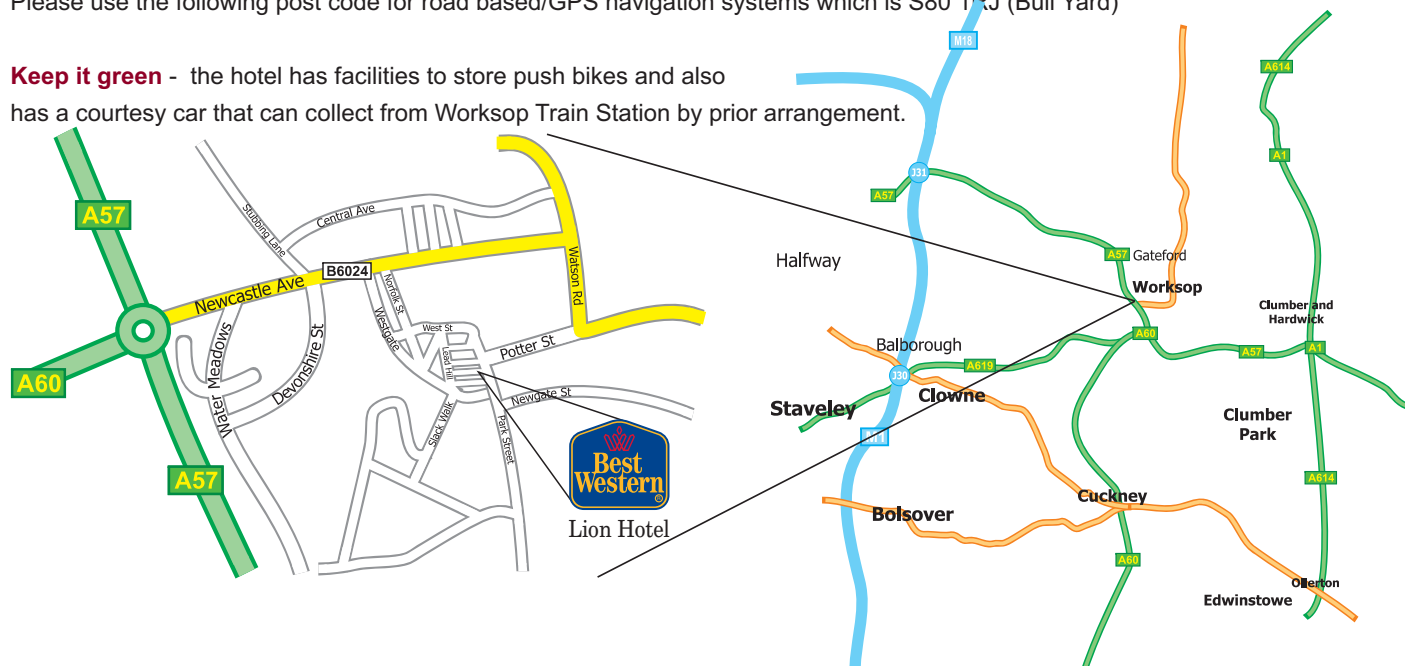
### By Road.

Worksop is accessible via the A57 Eastbound from junction 31 of the M1, turning left off the A57 at the B6024 (Newcastle Ave). Then turning right onto Westgate and third left onto Lead Hill.

Easily accessible from the A1, take the A57 Sheffield turning and follow the signs for the Town Centre. The Hotel will be straight in front of you as the road bends to the left. Take the 1st right and the right again for the car park at the rear of the hotel.

Please use the following post code for road based/GPS navigation systems which is S80 1RJ (Bull Yard)

**Keep it green** - the hotel has facilities to store push bikes and also has a courtesy car that can collect from Worksop Train Station by prior arrangement.



Best Western Lion Hotel  
*Quality comes naturally*

Tel: 01909 477925

[www.thelionworksop.co.uk](http://www.thelionworksop.co.uk)

## Team Building

Here at the Best Western Lion Hotel we have teamed up with The Adrenalin Jungle, Go Ape, F1 Karting, Bawtry Paintball Fields and local golf courses to offer you a wide range of action packed events for exciting corporate days out and team building. For weekend events bring partners along and they will receive full overnight accommodation and breakfast. Health and Beauty treatments can be organised or a shopping trip to Meadowhall. We can arrange every aspect of your day including transport and food off-site if required.

## Corporate Dinners

From private dining for 12 to 140 the Best Western Lion Hotel can cater for all your needs in a professional and friendly manner with particular attention to detail.

Linen and table decorations to co ordinate with corporate colours; menus and place cards included; choice menus available; awards for presentations; disco and bands arranged or why not add a theme? Murder Mystery, Theatrical Dinners, Black and White Masquerade Ball, Swinging 60's and many more.

## Local Attractions Include

Nottingham Lace Market  
Lincoln  
Hardwick Priory  
Clumber Park

Belvoir Castle  
Mr Staws House  
Sherwood Forest

and much more.



Best Western Lion Hotel  
*Quality comes naturally*

Tel: 01909 477925  
[www.thelionworksop.co.uk](http://www.thelionworksop.co.uk)